

# Career & Technical Education (CTE)

Volume 7 Issue 4

**Congratulations**



**Mr. Smith** (Entrepreneurship & Marketing Teacher/DECA Advisor) was recognized as the **Stukent Teacher of the Month** in September. Stukent is a digital courseware provider that believes in **real world experiences** in an **educational setting**. Mr. Smith **utilizes his real world experience** to **bring meaning and learning** among **his students!**

## Virtual Manufacturing Skilled Trades Day at ACC: Oct 8, 9 and 13th

ACC hosted a **Virtual** Manufacturing Skilled Trades day for our students. **Thirteen** students from **Eastern** registered to attend. During this time, students engaged in **3 live zoom calls**. In the first call, students learned about the **Career Accelerator Program (CAP)**. The 2nd call involved **live demos** and the 3rd involved **assembling a Marble Run Set**. ACC programs highlighted were **Machining, HVAC, Mechatronics** and **Welding**.



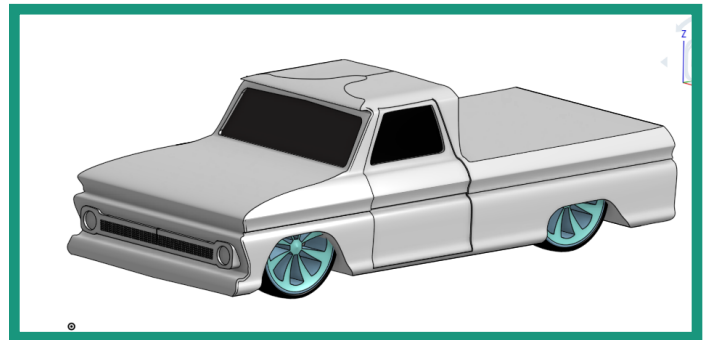
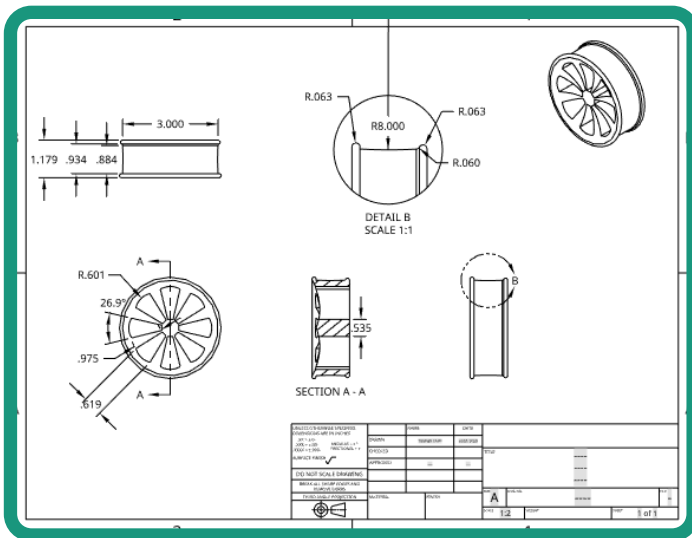
What **careers interest** you? What **high school courses** relate to your career interest? What **college** offers your career program? What can you **do now** to be **preparing for your career**? If you want to **discuss these questions or more**, sign up for a **Career Development Service** appointment with **Mrs. R. Johnson**.

# Scale Models in Drafting 1 with Mr. Vincent

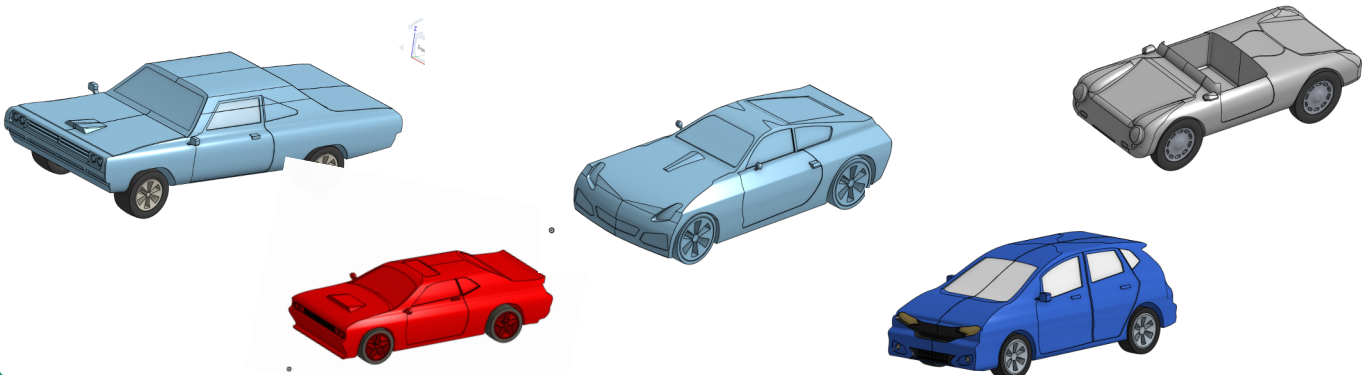
Our assignment in class was to **choose a car or truck** and we were going to make a **scale model** of that vehicle. So once we had picked our vehicles **we used onshape** which is our **CAD software**, and the **process was finding an image of our chosen vehicle and drawing off** of that.

We did this so that we could get our **desired shape** but to have something to reference when doing things like grilles, fender flares, etc. During this assignment we **learned a multitude of CAD strategies** and tools that **will help us in the future of this class, building and drawing larger and more complex designs.**

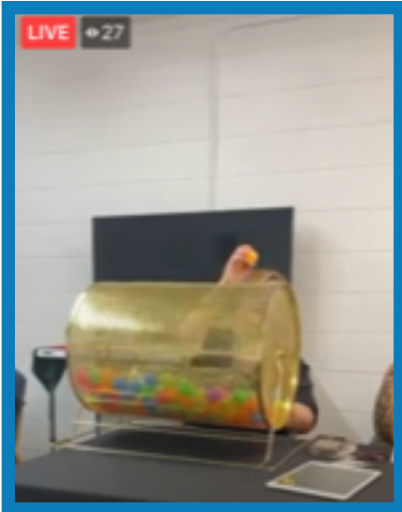
*Christopher Tapp, 11th grade CTE student*



## Other submitted models:



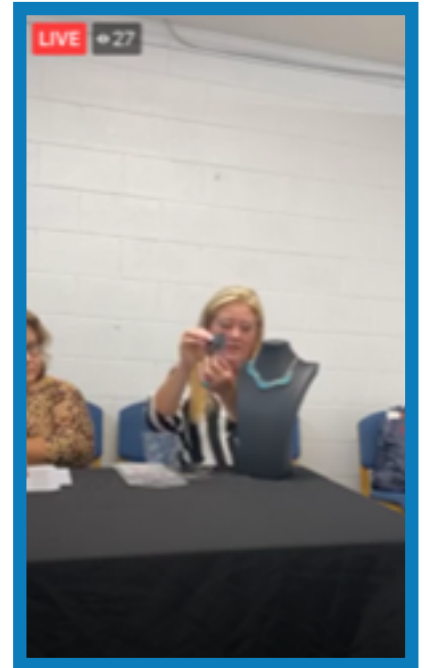
# 2020 Virtual DECA Quarter Auction



Friday, October 9, **DECA** members and **Alamance community members** engaged in the **1st DECA Quarter Auction**.

## So WHY DECA?

I **joined DECA** because I have been very interested in **marketing and business** ever since I took my first class in the subject at Eastern. Coach Smith's classes were my **favorite classes** because they **interested me** and they helped me **figure out what I want to do** as a job and career. In the spring of my sophomore year, Coach Smith introduced me to DECA and I told him that I would join the following year. I **love DECA** because it not only **helped me with public speaking**, but it did it in a fun and interesting way through competitions, and meeting people at events. I have **learned how to be confident** in otherwise uncomfortable situations. Helping to **organize the quarter auction** both this year and last year **helped me** by allowing me to help put on a real event. **Putting on a good event** is challenging, but it is also **very rewarding** to see all your hard work go into a great event that everyone enjoys. We plan to **use the money to go to states** if we are able. If we are unable to attend the state competition due to the pandemic restrictions, we will save that money to help next year's students to go. **Joining DECA has been one of the best choices I have made** in high school. **Coach Smith is great** and **really cares about teaching us** about business and marketing, and all of my **fellow DECA members** are great as well, they all **care about the club** and **are willing to put in work** for it.



*Written and submitted by Camden Gerlach, 12th grade, CTE student & DECA President*

**CFNC College Application  
Week  
October 19th-30th**

**2020 College Fair**  
North Carolina Independent Colleges &  
Universities  
Connect Here